



Compact 15 Watt Enclosed Switching Power Supplies

**PV15 series**



2.59"W x 1.98"L x 1.1"H

- Universal 90-264VAC Input
- Compact Footprint
- High Efficiency
- Regulated Outputs
- 3000V Isolation
- Built in EMI Filter

<b>Model Number</b>	<b>Output Voltage</b>	<b>Output Amps (max)</b>	<b>Ripple/Noise pp,typ</b>	<b>Efficiency</b>
PV15-5S	5 VDC	3	80mV	77%
PV15-12S	12 VDC	1.25	120mV	80%
PV15-15S	15 VDC	1	120mV	80%
PV15-24S	24 VDC	0.63	120mV	80%
PV15-48S	48 VDC	0.32	120mV	80%



## Compact 15 Watt Enclosed Switching Power Supplies

## PV15 series

### INPUT SPECIFICATIONS

Input Voltage Range AC/DC	90-264 VAC / 125-370 VDC
Frequency Range	47-63 Hz
Inrush Current, typ:	20A @ 120VAC Input *
	40A @ 220VAC Input *

### OUTPUT SPECIFICATIONS

Voltage and Current	See Selection Chart
Load Regulation (20% to 100%)	± 0.5%, typ.; 1% max.
Line Regulation	± 0.5%, typ.; 1% max.
Preset Accuracy	1%, typ
DC Voltage Adjust (typ)	± 10%
Temperature Coefficient	± 0.03%/°C (0-50°C, typ.)
Ripple/Noise	See Selection Chart
Over Voltage Protection	Clamp *
Short Circuit Protection	Latching, recoverable after cooling and re-power
Hold Up Time	16mS, typ (Nom I/P, FL)

### GENERAL SPECIFICATIONS

Isolation	I/P-O/P: 3000VAC
	I/P-Ground: 1500VAC
	O/P-Ground 500VAC
Efficiency	See Selection Chart
Switching Frequency	65Khz, (fixed, typical)
Safety Approvals	UL60950-1, EN60950-1

All specifications are typical at nominal input, full load, and 25°C unless otherwise noted

\* These are stress ratings. Exposure of the devices to any of these conditions may adversely affect long term reliability. Proper operation under conditions other than the standard operating conditions is neither warranted nor implied.

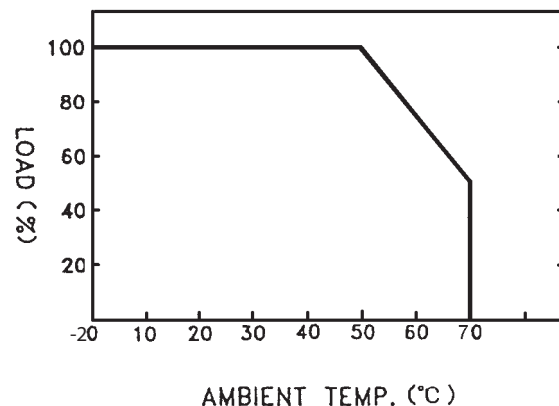
### ENVIRONMENTAL SPECIFICATIONS

Oper. Temperature	-20 to +70°C (See Derate)
Storage Temperature	-20 to +85°C *
Relative Humidity	0% to +95%, non-cond *
EMC	EN55022 Class B
	EN61000-3-2,3
	EN61000-4-2,3,4,5,6,8,11
	ENV50204

### PHYSICAL SPECIFICATIONS

Size	2.59" x 1.98" x 1.1" (66mm x 50.4mm x 28mm)
Construction	Enclosed
Weight	0.275 lb, (125g)

### DERATE CURVE



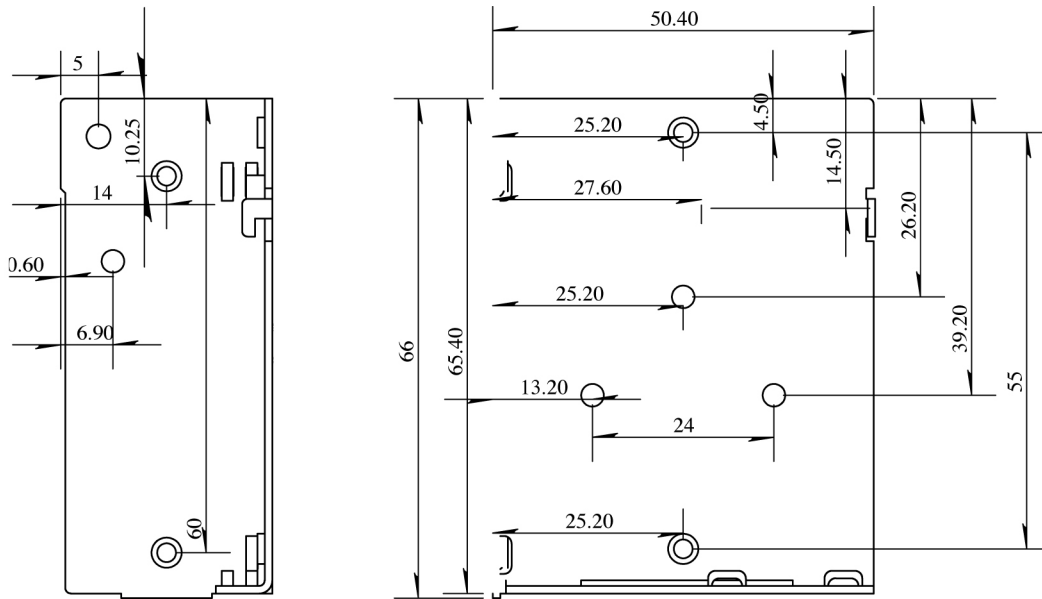
**Astrodyne products are not authorized or warranted for use as critical components in life support systems, equipment used in hazardous environments, nuclear controls systems, or other mission-critical applications.**



Compact 15 Watt Enclosed Switching Power Supplies

PV15 series

MECHANICAL DIMENSIONS



Use M3 Screws

